

POTTSVILLE ASSOCIATE REFORMED PRESBYTERIAN CHURCH

THE LORD'S DAY SERVICE

JULY 29, A. D. 2012

It shall come to pass in the latter days that the mountain of the house of the LORD shall be established as the highest of the mountains, and shall be lifted up above the hills; and all the nations shall flow to it, and many peoples shall come, and say: "Come, let us go up to the mountain of the LORD, to the house of the God of Jacob, that he may teach us his ways and that we may walk in his paths." For out of Zion shall go the law, and the word of the LORD from Jerusalem. He shall judge between the nations, and shall decide disputes for many peoples; and they shall beat their swords into plowshares, and their spears into pruning hooks; nation shall not lift up sword against nation, neither shall they learn war anymore. O house of Jacob, come, let us walk in the light of the LORD.

Isaiah 2:2-5

CHRISTIAN GREETING

SHARING OF JOYS AND CONCERNS

PRELUDE & SILENT PREPARATION

GOD CALLS US TO WORSHIP

Isaiah 2:2-5

WE RESPOND TO GOD'S CALL

Pastor: Our help is in the name of the LORD,

People: The Maker of heaven and earth.

Pastor: Open our eyes, O Lord.

People: That we may see wonderful things in your Law.

Pastor: O Lord, open our lips,

People: And our mouths will declare your praise.

PRAYER OF ADORATION

◇ HYMN

"O Worship the King"

Trinity 2

◇ CONFESSION OF SIN

Ezekiel 18:30-32

Have mercy on us, O God, according to your unfailing love; according to your great compassion blot out our transgressions. Wash away all our iniquities and cleanse us from our sin. Create in us pure hearts, O God, and renew a steadfast spirit within us. Do not cast us from your presence or take your Holy Spirit from us. Restore to us the joy of your salvation and grant us willing spirits, to sustain us.

◇ ASSURANCE OF PARDON

Psalms 103:8-13

◇ CONFESSION OF FAITH

Apostle's Creed

Bible Songs, iv

◇ "GLORIA PATRI"

Trinity 735

RESPONSIVE READING

Psalms 96, Trinity 819

HYMN

"Lord of the Sabbath, Hear Us Pray"

Trinity 390

PREPARATION OF OUR CHILDREN TO HEAR GOD'S WORD

SCRIPTURE

Jonah 4:1-11

SERMON

"The Wideness of God's Mercy"

PASTORAL PRAYER & LORD'S PRAYER

◇ HYMN

"What Wondrous Love Is This"

Trinity 261

WORSHIP THROUGH GIVING

Offertory Prayer

◇ *Doxology*

Trinity 731

◇ BENEDICTION

Numbers 6:24-25

◇ RESPONSE

"Now Blessed Be the Living God"

Bible Songs 155

◇ *Those who are able, please stand*

THIS WEEK AT POTTSVILLE ARP

The Lord's Day 9:45 am Bible Study
 10:45 am Lord's Day Worship

Wednesday 8:00 pm Men's Bible Study

A FEW THINGS YOU SHOULD KNOW

- If you are our guest today, we are glad you are here. Please take a minute to fill out the **Guest Information Card** in the pew and drop it in the offering plate so we can get to know you better.
- We believe that Christian Worship is a renewal of **covenant vows** between Christians and the Father, Son, and Holy Spirit. Consequently, our worship contains lots of congregational participation. Your part is in **bold**, but don't worry if you get a little lost. Just keep your bulletin handy throughout the service.
- We are a family of families worshipping together. We are teaching our children to worship as they worship with us. If they cry or squirm, it's OK; God has ordained "praise" from our children and infants. If things get **desperate**, a cry room is available in the rear of the Sanctuary.
- Restrooms are located both in this building and in the Fellowship Hall.

CONTACT US

Our Elders

Mr. Leslie Oates 479-967-1685 Mr. Matt Wylie 479-754-7805

Our Pastor

Rev. Howard Wheeler 479-970-1384 pottsvillearp@centurytel.net

On the web at www.pottsvillearp.org

Pottsville Associate Reformed Presbyterian Church



ARTIST'S CONCEPT PEN AND INK
ASSOCIATE REFORMED PRESBYTERIAN CHURCH AT PISGAH
POTTSVILLE, ARKANSAS C. 1853

-Elihu PARKER GUTHRIE
1988

*"Sharing this with our forefathers that we too are
desiring a better country, that is, the heavenly one."
Hebrews 11:16*

Opportunities for Prayer, July 29, 2012

"As for me, far be it from me that I should sin against the LORD by failing to pray for you."
1 Samuel 12:23

For God's Glory

John 12:28

- For thanksgiving in the midst of trial.
- For revival in the Church.

For those at home

Matthew 25:34-40

- Mary Davis
- Ruth Edwards
- Nale Falls
- Jewel Rodden
- Lila Viner

For those who are Grieving

Romans 12:15

- The Families of those killed in the line of duty.
- The Families of those killed in Aurora.
- The Family of Ted Hoffsteter
- The Family of Logan White.
- The Family of Thomas Morris, Jr
- The Family of Louise Gunnin, Mrs. Morris' sister-in-law.

For those traveling

Psalms 121:7-8

- Julie Evans

For those who need to know Christ

John 17:20-21

For those in need

Philippians 4:19; James 1:27

For those who are sick

Exodus 15:26

- Betty Brown.
- Hank Burton, cancer.
- Moises Chan, recovering from surgery.
- Daranda Findley Golden recovering from cancer surgery in Houston.
- Matt Johnston, recovering from a motorcycle accident.
- Jane Kitt, dialysis.
- Mariam Oates, recovering from back surgery.
- Barbara Peters.
- Junior Reasoner
- Ben Rice in Dallas.
- Randall Standrige, Betty Brown's son, suffering with arthritis.
- Bill Wheeler recovering from a broken shoulder and head injury.
- Margaret Wylie at rehab in Clarksville.

For Thanksgiving

Hebrews 13:15.

- Daranda Findley Golden's cancer was located on a lymph node and not on the lung. None of the lung had to be removed and all the cancer was removed with the lymph node.
- For improvement in Margaret Wylie's condition.
- Elaine Miller, expecting in September

For those with Spiritual needs

Isaiah 61:1-3.

- Sheila Hart
- Our Nation!
- Our leaders (1 Tim. 2:1)
- Our World Witness missionaries.
- The other pastors in our community: Jim Huffman, Sam Austin, Millie Bryant, Paul Geurian and Steve Schlinker.

Write! Visit! Pray! Watch!

Men's Bible Study

Our men will meet this **Wednesday night** at Starbucks at 8:00pm.

Bring your questions and bring a friend.



Fall Family Camp

Looking for a great fall getaway for the whole family? Join us in the foothills of the Missouri Ozarks for a Reformed Family Camp, **September 20-22, 2012** at Baptist Hill Campground in Mt. Vernon, Missouri. This camp is hosted by John and Jill Noble from our sister church, Gospel of Grace ARP, in Springfield, Missouri, and is under the oversight of the Gospel of Grace elders. Rev. Wheeler will be speaking on how the doctrines of grace are lived out in our families, in worship, in the home, and in the world. For more information, go to www.reformedfamilycamp.com

Memorial Gifts

The following memorials have been given to honor loved ones.

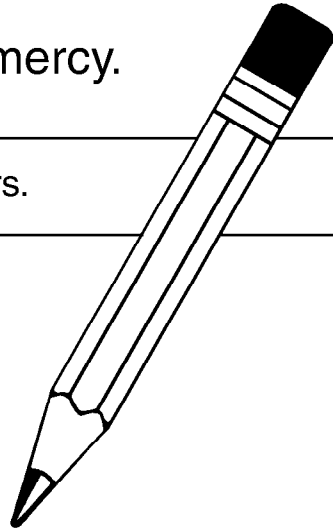
*In honor of Thomas Morris Jr, by
Dean and Christina Ferguson
Bill and Evelyn Oates
Matt and Megan Wylie*

*In honor of Louise Gunnin by:
Dean and Christina Ferguson*

Sermon Notes

God had great mercy.

Trace the letters.



mercy



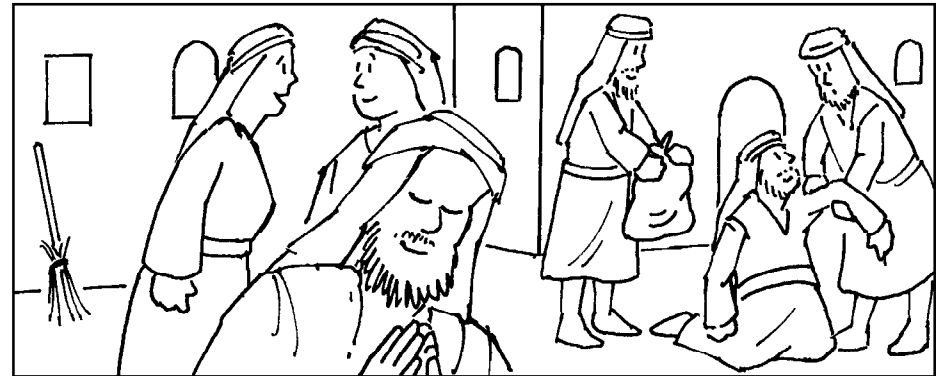
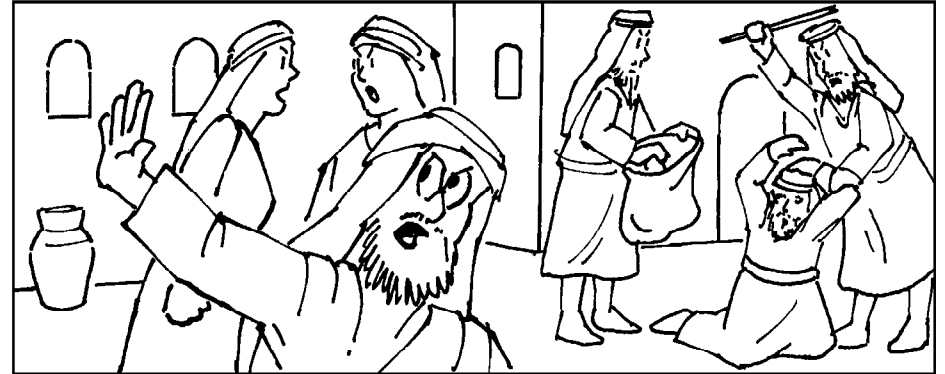
Ages 3-6

July 29, 2012 • Jonah 4:1-11

Jonah's Anger

God was pleased the people of Nineveh had repented.

Circle 7 differences in the 2nd picture.

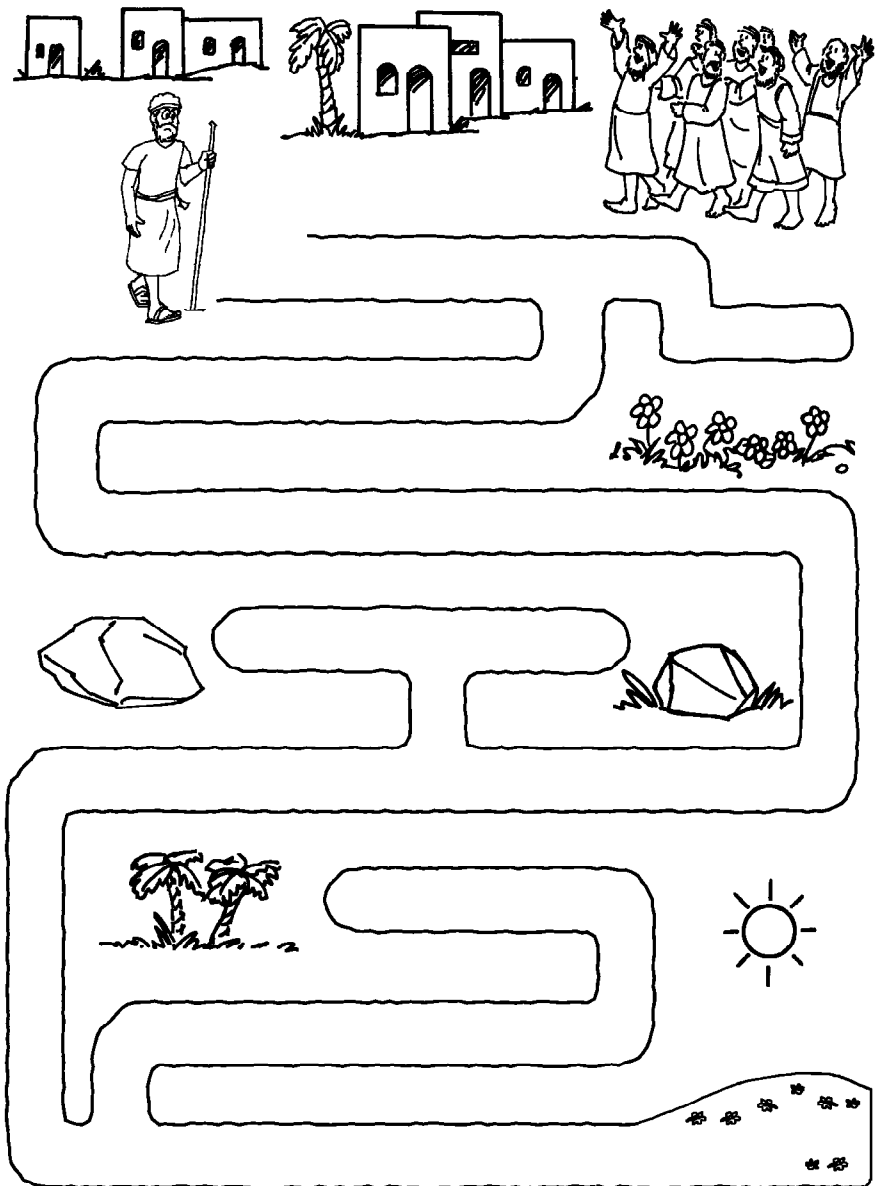


Pottsville Associate Reformed
Presbyterian Church

"growing up and grafting in"

Jonah was angry. God had not destroyed Nineveh. Jonah left the city.

Help Jonah leave the city.



God taught Jonah.

Match the shapes.

