

# POTTSVILLE ASSOCIATE REFORMED PRESBYTERIAN CHURCH

THE LORD'S DAY SERVICE  
NOVEMBER 11, A. D. 2012

*Oh sing to the LORD a new song; sing to the LORD, all the earth!  
Sing to the LORD, bless his name; tell of his salvation from day to day.  
Declare his glory among the nations, his marvelous works among all the peoples!  
For great is the LORD, and greatly to be praised; he is to be feared above all gods.  
For all the gods of the peoples are worthless idols, but the LORD made the heavens.  
Splendor and majesty are before him; strength and beauty are in his sanctuary.  
Ascribe to the LORD, O families of peoples, ascribe to the LORD glory and strength!  
Ascribe to the LORD the glory due his name; bring an offering, come into his courts!  
Worship the LORD in the splendor of holiness; tremble before him, all the earth!  
Psalm 96:1-9 ESV*

CHRISTIAN GREETING  
SHARING OF JOYS AND CONCERNS  
PRELUDE & SILENT PREPARATION

GOD CALLS US TO WORSHIP Psalm 100

## WE RESPOND TO GOD'S CALL

*Pastor: Our help is in the name of the LORD,  
People: The Maker of heaven and earth.  
Pastor: Open our eyes, O Lord.  
People: That we may see wonderful things in your Law.  
Pastor: O Lord, open our lips,  
People: And our mouths will declare your praise.*

PRAYER OF ADORATION

◇ HYMN **"Lead On, O King Eternal"** Trinity 580

◇ CONFESSION OF SIN Matthew 7:21-23

*Have mercy on us, O God, according to your unfailing love; according to your great compassion blot out our transgressions. Wash away all our iniquities and cleanse us from our sin. Create in us pure hearts, O God, and renew a steadfast spirit within us. Do not cast us from your presence or take your Holy Spirit from us. Restore to us the joy of your salvation and grant us willing spirits, to sustain us.*

◇ ASSURANCE OF PARDON John 1:9-13

◇ CONFESSION OF FAITH **Apostle's Creed** Bible Songs, iv

◇ "GLORIA PATRI" Trinity 735

RESPONSIVE READING Psalm 11, Trinity 787

HYMN **"Christ Shall Have Dominion"** Trinity 439

SCRIPTURE MICAH 3:1-12  
SERMON "Game Changer"

PASTORAL PRAYER & LORD'S PRAYER

◇ HYMN **"Shout, for the Blessed Jesus Reigns"** Trinity 369

WORSHIP THROUGH GIVING  
*Offertory Prayer*  
◇ *Doxology* Trinity 731

◇ BENEDICTION Numbers 6:24-25

◇ RESPONSE **"To God be the Glory"** Trinity 55

◇ *Those who are able, please stand*

## THIS WEEK AT POTTSVILLE ARP

The Lord's Day	9:45 am	Bible Study
	10:45 am	Lord's Day Worship
	1:30 pm	Pottsville Session Meeting
	2:30 pm	Havana Session Meeting
Wednesday		Men's Bible Study

### A FEW THINGS YOU SHOULD KNOW

- If you are our guest today, we are glad you are here. Please take a minute to fill out the **Guest Information Card** in the pew and drop it in the offering plate so we can get to know you better.
- We believe that Christian Worship is a renewal of **covenant vows** between Christians and the Father, Son, and Holy Spirit. Consequently, our worship contains lots of congregational participation. Your part is in **bold**, but don't worry if you get a little lost. Just keep your bulletin handy throughout the service.
- We are a family of families worshipping together. We are teaching our children to worship as they worship with us. If they cry or squirm, it's OK; God has ordained "praise" from our children and infants. If things get **desperate**, a cry room is available in the rear of the Sanctuary.
- Restrooms are located both in this building and in the Fellowship Hall.

### CONTACT US

#### Our Elders

Mr. Leslie Oates 479-967-1685 Mr. Matt Wylie 479-754-7805

#### Our Pastor

Rev. Howard Wheeler 479-970-1384 pottsvillearp@centurytel.net

On the web at [www.pottsvillearp.org](http://www.pottsvillearp.org)

# Pottsville Associate Reformed Presbyterian Church



ARTIST'S CONCEPT  
ASSOCIATE REFORMED PRESBYTERIAN CHURCH AT POTTVILLE  
POTTVILLE, ARKANSAS C. 1853

PEN AND INK

-ELLEN PARKER GETHRIDGE  
1988

*"Sharing this with our forefathers that we too are  
desiring a better country, that is, the heavenly one."*

*Hebrews 11:16*

## Opportunities for Prayer, November 11, 2012

"As for me, far be it from me that I should sin against the LORD by failing to pray for you."  
1 Samuel 12:23

### For God's Glory

*John 12:28*

- For greater faithfulness in reading God's Word.
- For repentance in our nation.

### For those at home

*Matthew 25:34-40*

- Mary Davis
- Junior Reasoner
- Ruth Edwards
- Nale Falls
- Ben Rice
- Jewel Rodden
- Lila Viner
- Dot Wright @ DRNC
- Margaret Wylie

### For those who are Grieving

*Romans 12:15*

- The family of J. D. Welch, long-time elder at Havana.

### For those traveling

*Psalms 121:7-8*

### For those who need to know Christ

*John 17:20-21*

- ...in your family.
- ...in your office or on the job.
- ...among your friends
- ...at school

### For those in need

*Philippians 4:19; James 1:27*

### For those who are sick

*Exodus 15:26*

- Betty Brown at home
- Hank Burton, cancer.
- David Donahue, son of Rev. Joe Donahue, undergoing tests.
- Jane Kitt, dialysis.
- Barbara Peters.
- Martha Schaeffer
- Randall Standrige, Betty Brown's son, suffering with arthritis.
- Bill Wheeler.

### For Thanksgiving

*Hebrews 13:15.*

- New believers in our families

### For those with Spiritual needs

*Isaiah 61:1-3.*

- Our Nation!
- Our leaders ( 1 Tim. 2:1 )
- Dr. Steve Suits, Moderator of General Synod and Mr. Larry Littlejohn, Moderator of the Mississippi Valley Presbytery.
- Our World Witness missionaries. Particularly the Witte Family in language school in Costa Rica and our work at the Saiwahl Hospital in Pakistan.
- Dr. David Norman, president of Erskine College
- The other pastors in our community: Jim Huffman, Sam Austin, Millie Bryant, Paul Geurian and Steve Schlinker.

**Write! Visit! Pray! Watch!**

## Men's Bible Study

Our men's Bible study will be taking a break until the new year. Save up your questions for the **first Wednesday in January!**

## Happy Birthday!

- Martha Morris 11/16
- Leslie Oates 11/20
- Marisa Reasoner 11/22
- Emma Wheeler 11/27

Don't Forget to Wish Them a Happy

## Thanksgiving Community Service

The Pottsville Community Thanksgiving Service will be at **6:00 pm, November 18, 2012** at the Living Water Church. An offering will be taken for the benevolent needs of our community.

## Pottsville Food Pantry

The Pottsville United Methodist Church is establishing a food pantry. Opening **November 16**, the pantry will be available to the needy of our community. If you would like to donate food (canned goods, dry foods, cereal, etc...) there is a box at the back of the sanctuary for the purpose of collection.

## The Lord's Supper and Fellowship Meal

We will observe the Lord's Supper on **November 25** followed by a pot providence meal in the fellowship hall. Please make plans to stay and enjoy the fellowship of the believers! Prepare a meal to feed your family plus someone else.

## Sermon Notes

"I will obey Your laws."

Circle the people who are doing what is right.



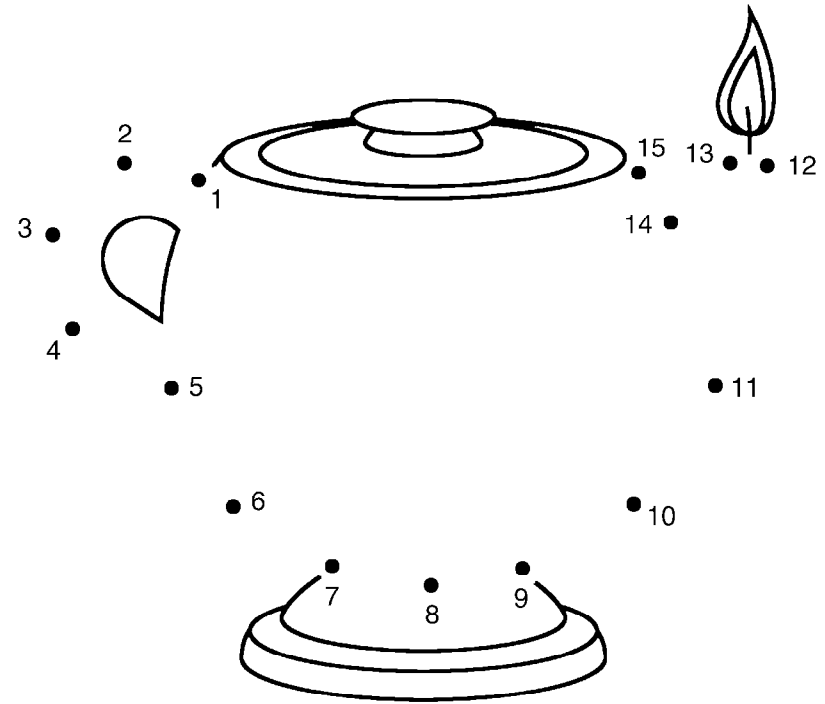
Ages 3-6

November 11, 2012 • Psalm 119:105-112

# A Light for Our Path

This psalm says, "Your word is a lamp to my feet and a light for my path."

Connect the dots.  
1 2 3 4 5 6 7 8 9 10 11 12 13 14 15

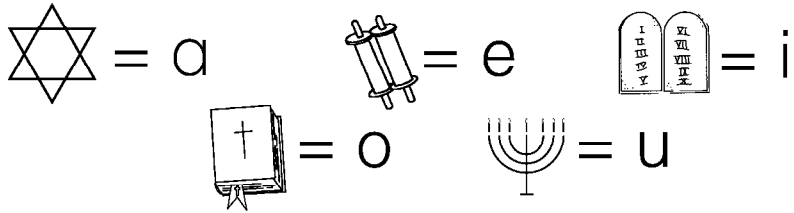


Pottsville Associate Reformed  
Presbyterian Church

"growing up and grafting in"

“Accept my praise, O God.  
Teach me Your laws.”

Use the code to fill in the missing letters.



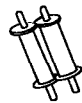
“I w \_ ll



f \_ ll \_ w Y \_ \_ r



r \_ g h t \_ \_ \_ s

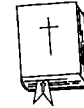


l \_ w s.”



“Your ways are the joy of my heart.”

Find and count the hidden objects.



4 or 5 or 6 ?



6 or 7 or 8 ?

